

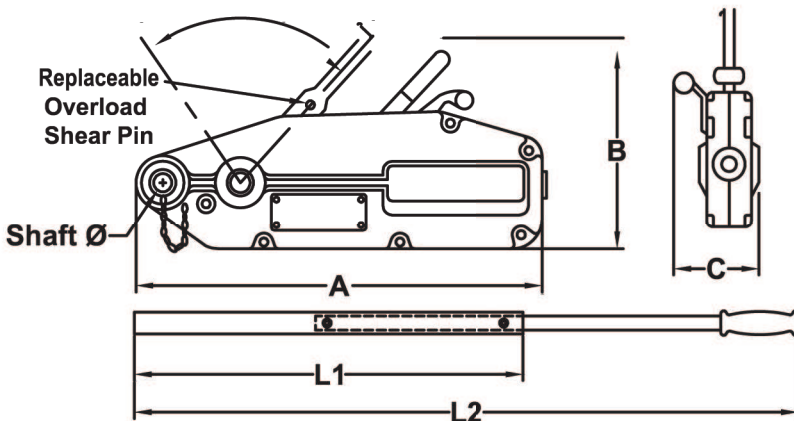
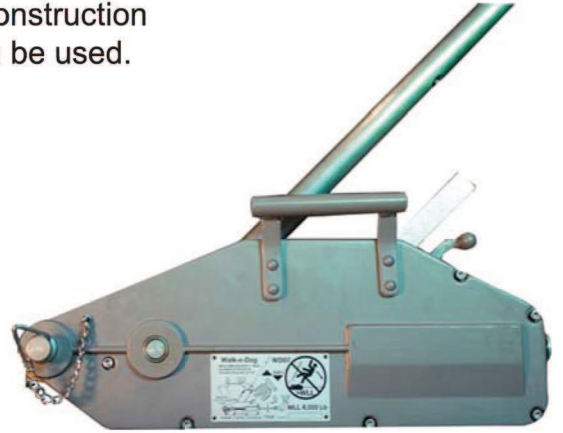
# Walk-e-Dog 2000, 4000 & 8000 Lb WLL

## Long Pull Wire Rope Grip Hoist

### FEATURES

The ability to pull or lift large loads over long distance with any length of wire rope

- Portable lightweight aluminum construction is durable and resist corrosion.
- ANY length of 6x19S class IWRC wire rope with seale construction having a Min. breaking strength 4 times the capacity can be used.  
(Some codes like EU Directives for Europe may require Min. breaking strength that is 5 times capacity (Reference AMH Bulletin SB022))
- Smooth operation with precise control
- Telescoping handle allows the operator to optimize pull and stroke
- Long service life and low maintenance requiring only periodic cleaning, lubrication and inspection.
- Overload protection is provided by a shear pin that is easily replaced. **4 extra shear pins are supplied in the lever grip or carrying handle compartments.**
- Meets ASME/ANSI B30.21, OSHA, NASA-STD-8719.9 (as they apply) for manually lifting with a 4:1 SF.  
ATEX rated Ex  $\text{Ex}$  II 3 GD IIB 54° C X for limited use in Hazardous Environment  
66 Ft. wire rope and rear hook assemblies may be ordered separately



6X19S Wire Rope Assembly (Must be ordered separately)			
Part #	Size	Weight	Length
WD05RA66	5/16"	15 Lbs	66 Ft
WD07RA66	7/16"	28 Lbs	66 Ft
WD10RA66	5/8"	41 Lbs	66 Ft



Telescoping handle optimizes pull and stroke

Walk-e-Dog Model	Wire Rope	ANSI/ASME B30.21, OSHA & NASA WLL @ 4:1 SF	Weight Lbs.	A	B	C	Shaft Ø	L1	L2	Advance /Stroke	Hand Pull @ WLL	
WD05	5/16"	2000 lbs	1T	13.2"	17.4"	9.6"	2.6"	0.88"	---	32.7"	2.1"	88 lb
WD07	7/16"	4000 lbs	2T	24.2"	22.2"	11.4"	4.0"	1.00"	32.7"	49.0"	2.3"	113 lb
WD10	5/8"	8000 lbs	4T	48.4"	26.9"	13.3"	4.7"	1.20"	32.7"	49.0"	1.1"	113 lb