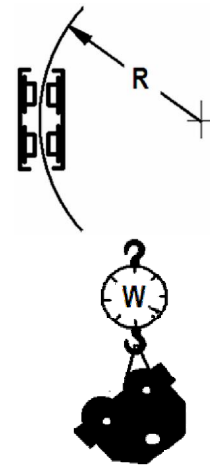
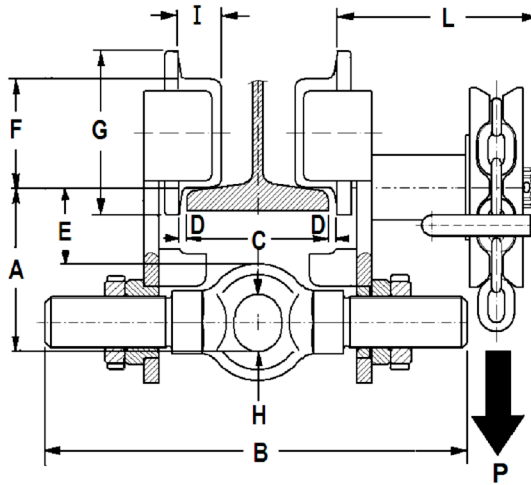
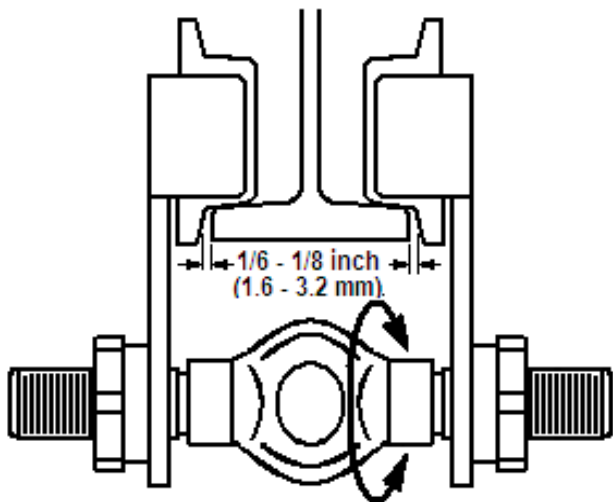


PT, GT 1/2-5t



| (Inch) | A | B1 | B2 | C1 | C2 | D | E | F | G | H | I | J | K | L | M | P (lbs) | R Min | W ₁ (lbs) | W ₂ (lbs) | |
|--------|------|-----|------|------|-------------|--------------|--------|-----|-----|-----|-----|-----|------|------|-----|---------|-------|----------------------|----------------------|----|
| PT005 | 1/2t | 3.3 | 11.5 | 14.8 | 2.52 - 8.66 | 6.30 - 12.01 | 0-0.12 | 1.5 | 2.3 | 3.4 | 1.2 | 0.9 | 8.9 | 6.8 | — | 4.0 | — | 36 | 18 | 19 |
| PT010 | 1t | 3.7 | 11.8 | 15.2 | 2.52 - 8.66 | 6.30 - 12.01 | 0-0.12 | 1.7 | 2.4 | 3.7 | 1.4 | 0.9 | 9.9 | 7.4 | — | 4.8 | — | 40 | 24 | 25 |
| GT010 | | | | | | | | | | | | | | | 4.5 | | | | | |
| PT020 | 2t | 4.4 | 12.2 | 15.6 | 3.46 - 8.66 | 6.30 - 12.01 | 0-0.12 | 1.6 | 3.2 | 4.6 | 1.9 | 1.0 | 11.8 | 8.9 | — | 5.5 | — | 48 | 40 | 42 |
| GT020 | | | | | | | | | | | | | | | 4.5 | | | | | |
| PT030 | 3t | 5.8 | 12.8 | 16.1 | 4.02 - 8.66 | 6.30 - 12.01 | 0-0.12 | 2.5 | 3.9 | 5.5 | 2.3 | 1.3 | 14.2 | 11.4 | — | 6.3 | — | 52 | 69 | 72 |
| GT030 | | | | | | | | | | | | | | | 5.3 | | | | | |
| PT050 | 5t | 6.3 | 13.0 | 16.3 | 4.49 - 8.66 | 6.30 - 12.01 | 0-0.12 | 2.2 | 4.3 | 5.9 | 2.8 | 1.5 | 15.4 | 12.3 | — | 6.7 | — | 56 | 94 | 97 |
| GT050 | | | | | | | | | | | | | | | 5.4 | | | | | |

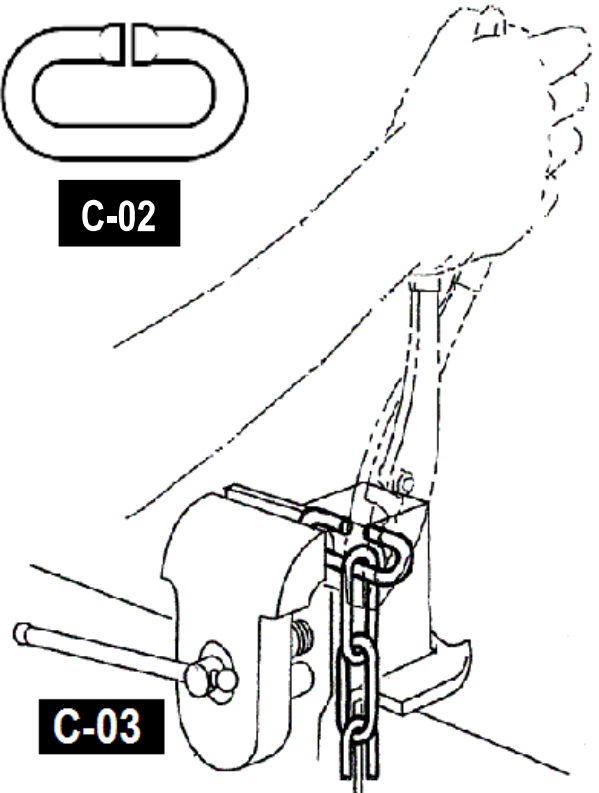


≤ 5t

T-01

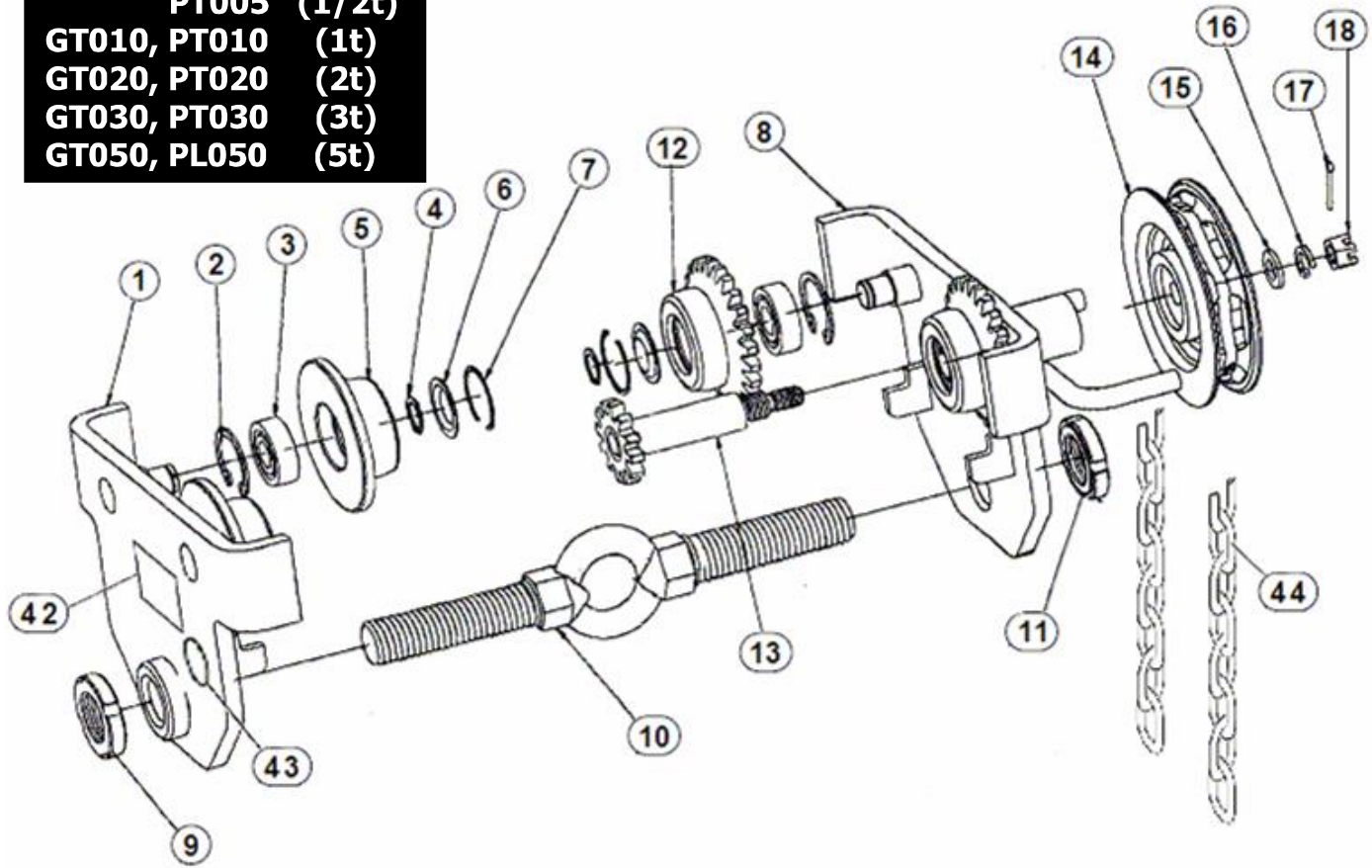


C-02

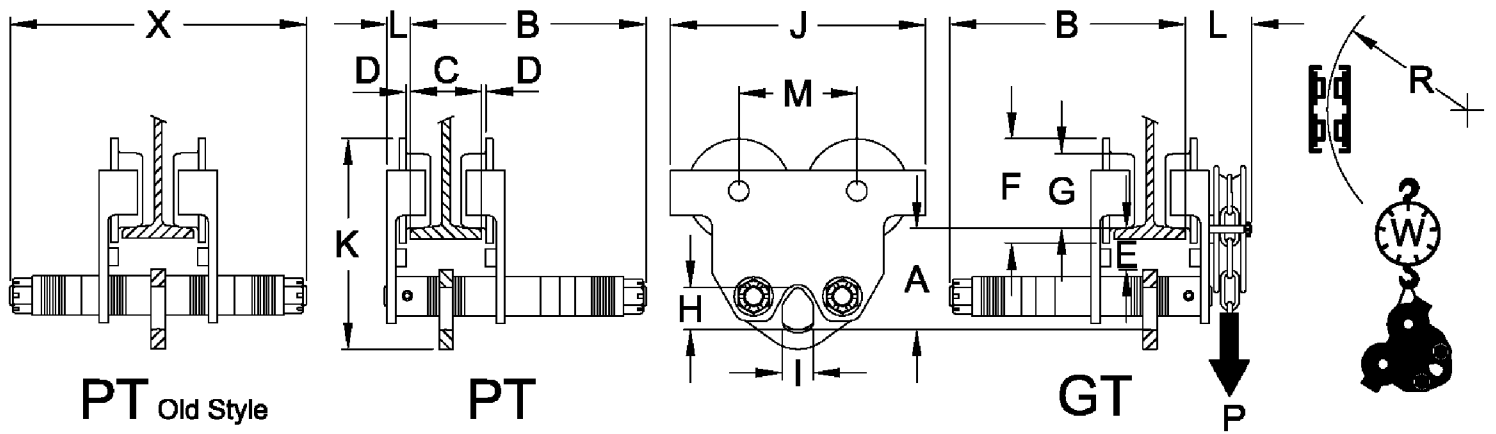


C-03

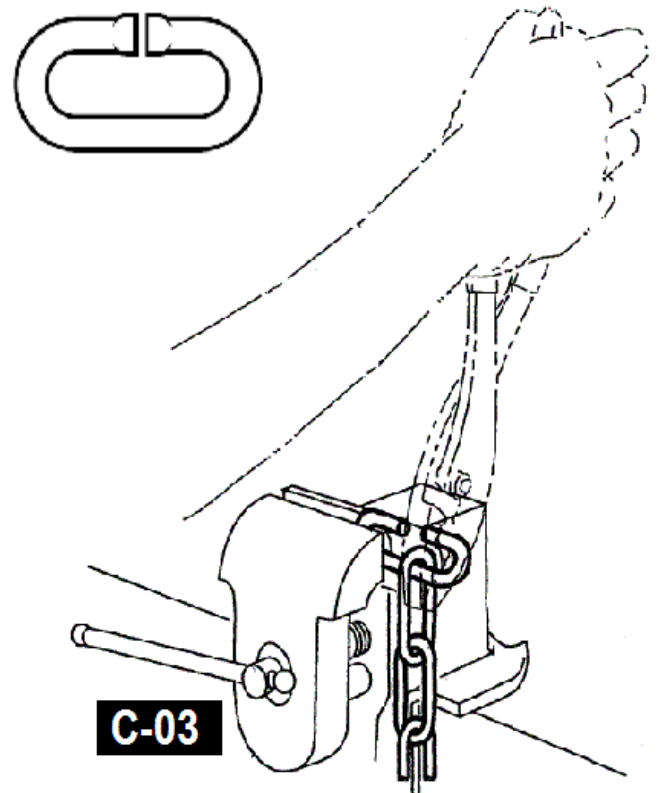
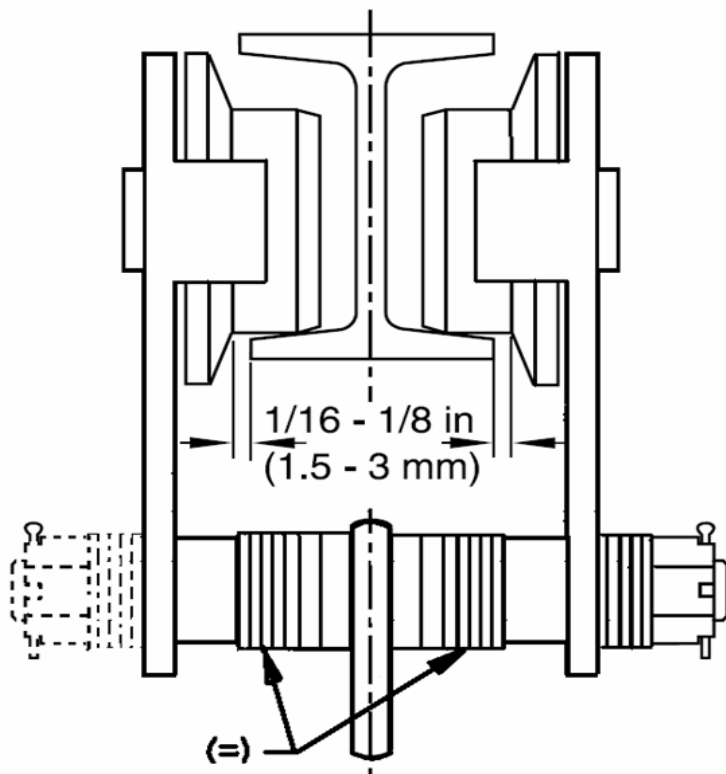
PT005 (1/2t)
GT010, PT010 (1t)
GT020, PT020 (2t)
GT030, PT030 (3t)
GT050, PL050 (5t)

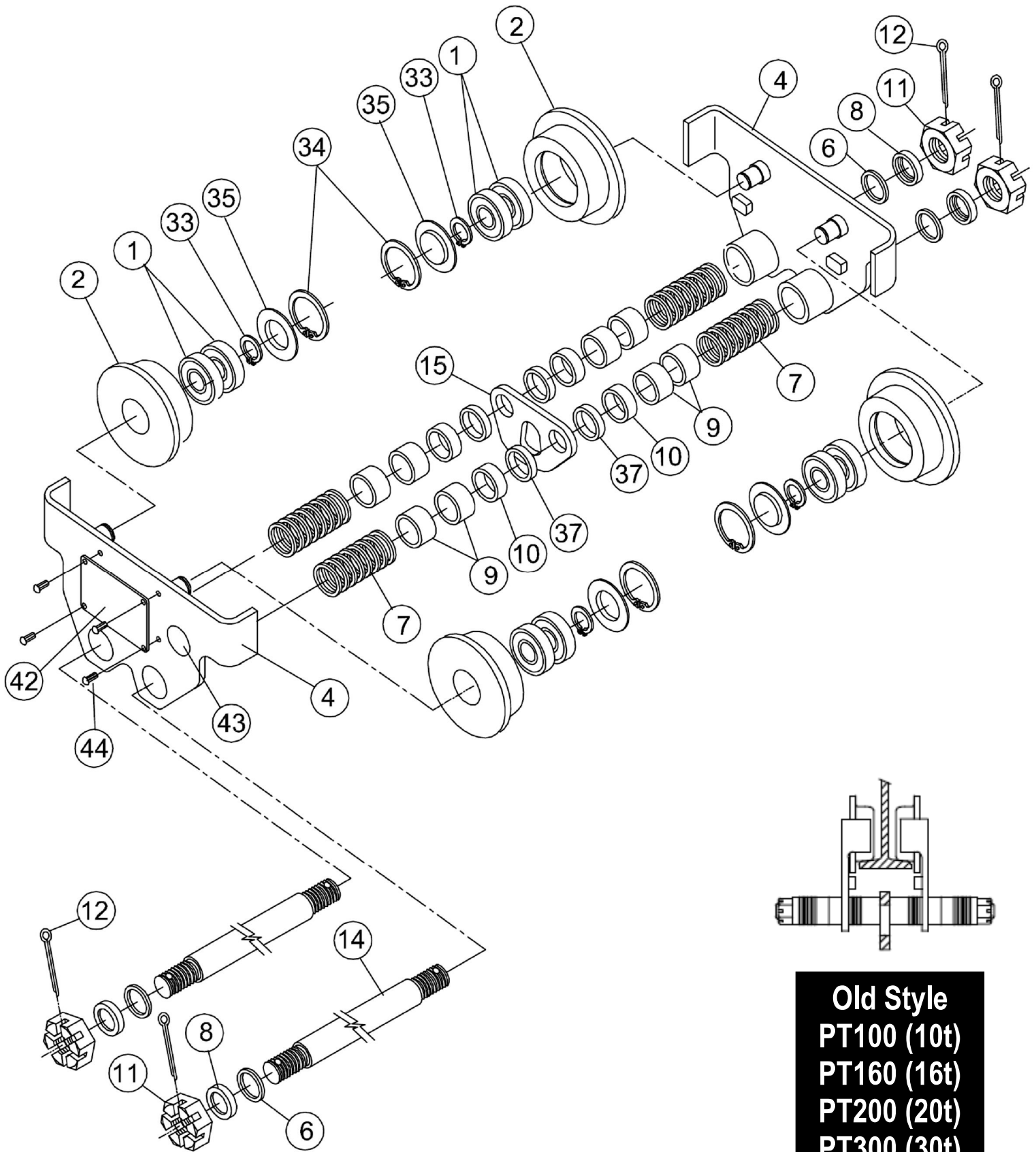


| | PT005 (1/2t) | GT005 (1/2t) | PT010 (1t) | GT010 (1t) | PT020 (2t) | GT020 (2t) | PT030 (3t) | GT030 (3t) | PT050 (5t) | GT050 (5t) |
|----|-----------------|------------------------|---------------|---------------|---------------|---------------|---------------|---------------|---------------|---------------|
| 1 | P-GT005-1 | | P-GT010-1 | | P-GT020-1 | | P-GT030-01 | | P-GT050-1 | |
| 2 | P-39MM RING INT | | | | P-GT020-2 | | P-GT030-2 | | | |
| 3 | P-GT005-3 | | | | P-GT020-3 | | P-GT030-3 | | P-GT050-3 | |
| 4 | P-17MM RING EXT | | | | P-GT020-4 | | P-GT030-4 | | P-GT050-4 | |
| 5 | P-GT005-5 | | P-GT010-5 | | P-GT020-5 | | P-GT030-5 | | P-GT050-5 | |
| 6 | P-GT005-6 | | | | P-GT020-6 | | P-GT030-6 | | | |
| 7 | P-35MM RING INT | | | | P-GT020-7 | | P-GT030-7 | | | |
| 8 | P-PT005-8 | P-GT005-8 | P-PT010-8 | P-GT010-8 | P-PT020-8 | P-GT020-8 | P-PT030-8 | P-GT030-8 | P-PT050-8 | P-GT050-8 |
| 9 | P-GT005-9 | | P-GT010-9 | | P-GT020-9 | | P-GT030-9 | | P-GT050-9 | |
| 10 | P-GT005-10 | | P-GT010-10 | | P-GT020-10 | | P-GT030-10 | | P-GT050-10 | |
| 11 | P-GT005-11 | | P-GT010-11 | | P-GT020-11 | | P-GT030-11 | | P-GT050-11 | |
| 12 | | P-GT005-12 | | P-GT010-12 | | P-GT010-12 | | P-GT030-12 | | P-GT050-12 |
| 13 | | P-GT005-13 | | P-GT010-13 | | P-GT010-13 | | P-GT030-13 | | P-GT030-13 |
| 14 | | P-GT005-14 | | P-GT010-14 | | P-GT010-14 | | P-GT030-14 | | P-GT050-14 |
| 15 | | P-M12 WASH | | P-GT005-15 | | P-GT005-15 | | P-GT005-15 | | P-GT005-15 |
| 16 | | P-M12 WASH LOCK | | P-GT005-16 | | P-GT005-16 | | P-GT005-16 | | P-GT005-16 |
| 17 | | P-M3.2X28 COTTER | | P-GT005-17 | | P-GT005-17 | | P-GT005-17 | | P-GT005-17 |
| 18 | | P-M12 NUT CASTLE-12 | | P-GT005-18 | | P-GT005-18 | | P-GT005-18 | | P-GT005-18 |
| 42 | P-NPL-T005 | | P-NPL-T010 | | P-NPL-T020 | | P-NPL-T030 | | P-NPL-T050 | |
| 43 | P-WARN-LP | | | | | | | | | |
| 44 | | C5X24Z | | C5X24Z | | C5X24Z | | C5X24Z | | C5X24Z |



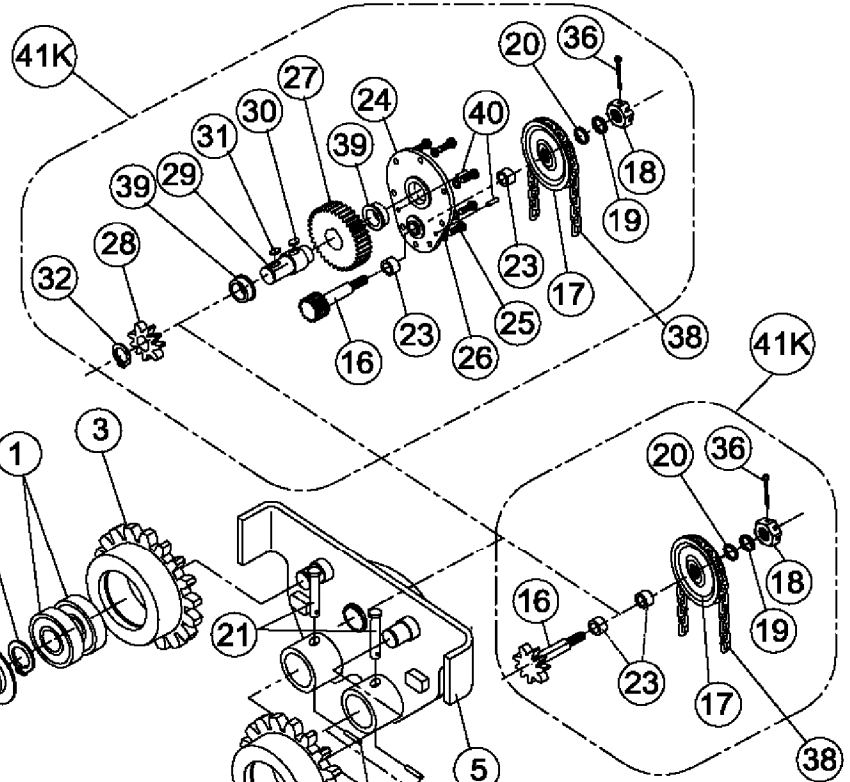
| Model (Inch & Lb.) | WLL (4:1) | Type | A | X< | B | C | D | E | F | G | H | I | J | K | L | M | P (lbs) | R Min | W (lbs) |
|-----------------------|--------------|--------|------|------|------|----------|----------|-----|------|-----|-----|-----|------|------|-----|------|------------|----------|------------|
| PT100 | 10t | Push | 7.5 | 18.9 | 15.5 | 4.9-12.0 | 0.8-0.13 | 1.8 | 7.0 | 5.4 | 4.4 | 2.8 | 18.1 | 15.5 | 1.8 | 7.9 | — | 79 | 198 |
| GT100-10 | | Geared | — | — | — | — | — | — | — | — | — | — | — | — | 4.3 | — | 54 | 207 | |
| PT160 | 16t | Push | 9.3 | 21.7 | 17.1 | 5.4-12.0 | 0.8-0.13 | 2.4 | 8.9 | 6.6 | 5.4 | 3.7 | 22.6 | 19.6 | 3.0 | 10.7 | — | 138 | 427 |
| GT160-10 | | Geared | — | — | — | — | — | — | — | — | — | — | — | — | 6.0 | — | 54 | 447 | |
| PT200 | 20t | Push | 9.2 | 21.7 | 17.1 | 5.4-12.0 | 0.8-0.13 | 2.3 | 8.9 | 6.9 | 5.4 | 3.7 | 22.6 | 19.6 | 3.0 | 10.7 | — | 138 | 433 |
| GT200-10 | | Geared | — | — | — | — | — | — | — | — | — | — | — | — | 6.0 | — | 56 | 458 | |
| PT300 | 30t | Push | 11.2 | 24 | 17.8 | 6.9-12.0 | 0.8-0.13 | 2.7 | 11.2 | 9.1 | 6.1 | 4.1 | 28.7 | 24.4 | 3.1 | 13.5 | — | 236 | 715 |
| GT300-10 | | Geared | — | — | — | — | — | — | — | — | — | — | — | — | 6.2 | — | 56 | 733 | |



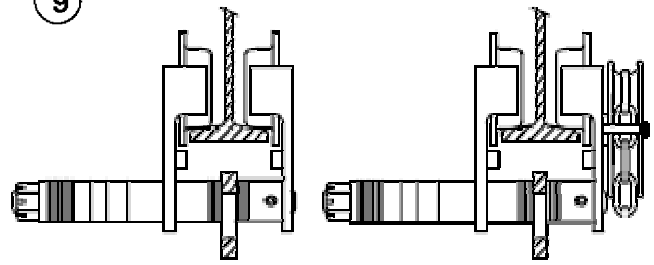
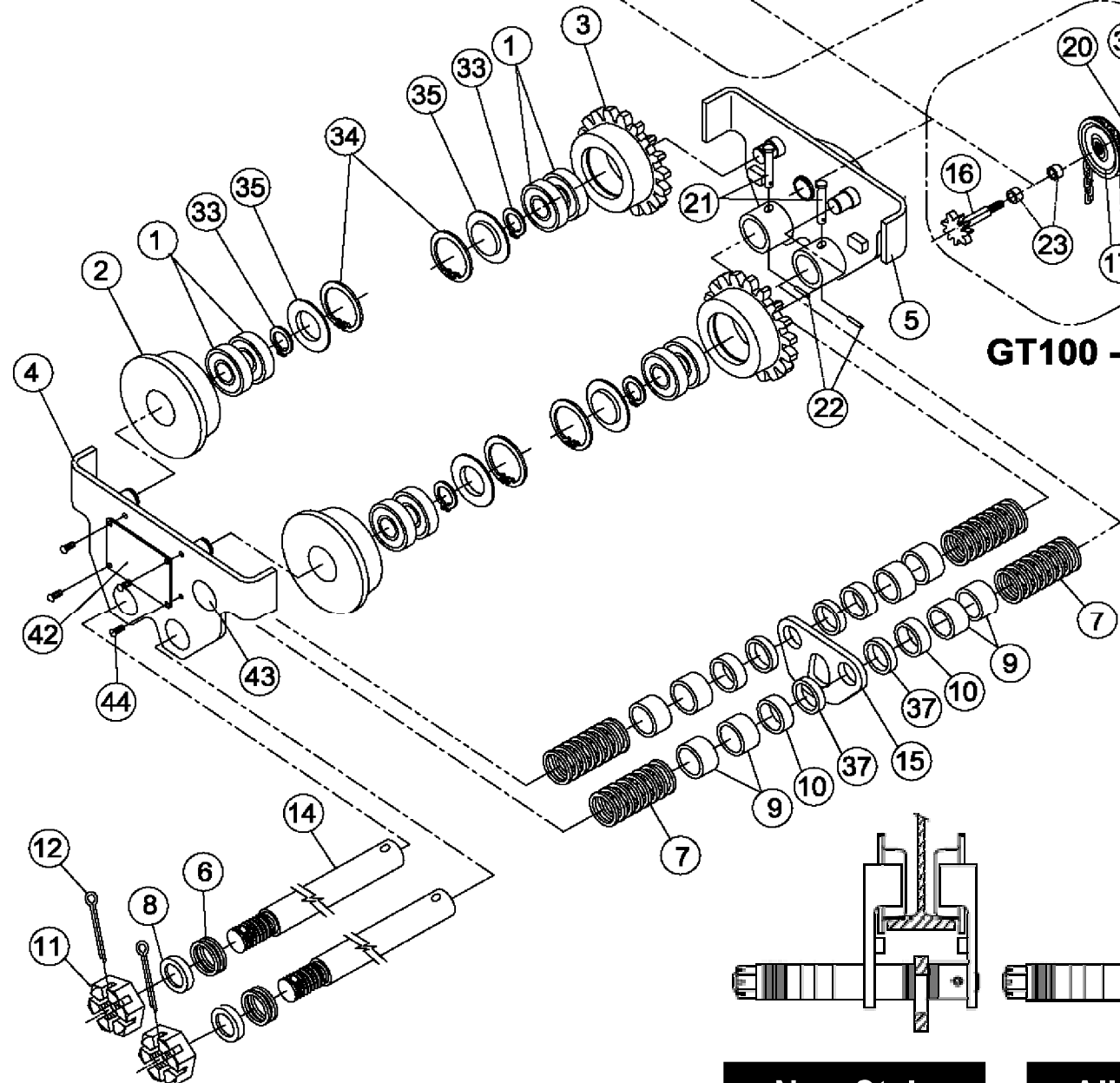


Old Style
PT100 (10t)
PT160 (16t)
PT200 (20t)
PT300 (30t)

GT160 - 16t
GT200 - 20t
GT300 - 30t



GT100 - 10t



New Style
PT100 (10t)
PT160 (16t)
PT200 (20t)
PT300 (30t)

All Models
GT100 (10t)
GT160 (16t)
GT200 (20t)
GT300 (30t)

| # | Old Style PT100 | New Style G&PT100 | Old Style PT160 | New Style G&PT160 | Old Style PT200 | New Style G&PT200 | Old Style PT300 | New Style G&PT300 |
|-----|----------------------|----------------------|--------------------|----------------------|--------------------|----------------------|--------------------|----------------------|
| | (10t) | (10t) | (16t) | (16t) | (20t) | (20t) | (30t) | (30t) |
| 1 | P-PT100-1 | | P-PT160-1 | | P-PT200-1 | | P-PT300-1 | |
| 2 | P-PT100-2 | | P-PT160-2 | | P-PT200-2 | | P-PT300-2 | |
| 3 | | P-GT100-3 | | P-GT160-3 | | P-GT200-3 | | P-GT300-3 |
| 4 | P-PT100-4 | | P-PT160-4 | | P-GT200-4 | | P-GT300-4 | |
| 5 | P-PT100-5 | P-GT100-5 | P-PT160-5 | P-P-GT160-5 | P-PT200-5 | P-GT200-5 | P-PT300-5 | P-GT300-5 |
| 6 | P-PT100-6 | | P-PT160-6 | | P-PT200-6 | | P-PT300-6 | |
| 7 | P-PT100-7 | | P-PT160-7 | | P-PT200-7 | | P-PT300-7 | |
| 8 | P-PT100-8 | | P-PT160-8 | | P-PT200-8 | | P-PT300-8 | |
| 9 | P-PT100-9 | | P-PT160-9 | | P-PT200-9 | | P-PT300-9 | |
| 10 | P-PT100-10 | | P-PT160-10 | | P-PT200-10 | | P-PT300-10 | |
| 11 | P-PT100-11 | | P-PT160-11 | | P-PT200-11 | | P-PT300-11 | |
| 12 | P-PT100-12 | | P-PT160-12 | | P-PT200-12 | | P-PT300-12 | |
| 14 | P-PT100-14 | P-GT100-14 | P-PT160-14 | P-GT160-14 | P-PT200-14 | P-GT200-14 | P-PT300-14 | P-GT300-14 |
| 15 | P-PT100-15 | | P-PT160-15 | | P-PT200-15 | | P-PT300-15 | |
| 16 | | P-GT100-16 | | P-GT160-16 | | P-GT160-16 | | P-GT300-16 |
| 17 | | P-GT100-17 | | P-GT100-17 | | P-GT100-17 | | P-GT300-17 |
| 18 | | P-GT100-18 | | P-GT100-18 | | P-GT100-18 | | P-GT100-18 |
| 19 | | P-GT100-19 | | P-GT160-19 | | P-GT160-19 | | P-GT300-19 |
| 20 | | P-GT100-20 | | P-GT160-20 | | P-GT160-20 | | P-GT300-20 |
| 21 | | | | P-GT160-21 | | P-GT160-21 | | P-GT300-21 |
| 22 | | | | P-GT160-22 | | P-GT160-22 | | P-GT300-22 |
| 23 | | P-GT100-23 | | P-GT160-23 | | P-GT160-23 | | P-GT300-23 |
| 24 | | | | P-GT160-24 | | P-GT160-24 | | P-GT300-24 |
| 25 | | | | P-GT160-25 | | P-GT160-25 | | P-GT300-25 |
| 26 | | | | P-GT160-26 | | P-GT160-26 | | P-GT300-26 |
| 27 | | | | P-GT160-27 | | P-GT160-27 | | P-GT300-27 |
| 28 | | | | P-GT160-28 | | P-GT160-28 | | P-GT300-28 |
| 29 | | | | P-GT160-29 | | P-GT160-29 | | P-GT300-29 |
| 30 | | | | P-GT160-30 | | P-GT160-30 | | P-GT300-30 |
| 31 | | | | P-GT160-31 | | P-GT160-31 | | P-GT300-31 |
| 32 | | | | P-GT160-32 | | P-GT160-32 | | P-GT300-32 |
| 33 | P-PT100-33 | | P-PT160-33 | | P-PT200-33 | | P-PT300-33 | |
| 34 | P-PT100-34 | | P-PT160-34 | | P-PT200-34 | | P-PT300-34 | |
| 35 | P-PT100-35 | | P-PT160-35 | | P-PT200-35 | | P-PT300-35 | |
| 36 | | P-M2.5X25 COTTER | | P-M2.5X25 COTTER | | P-M2.5X25 COTTER | | P-M2.5X25 COTTER |
| 37 | P-PT100-37 | | P-PT160-37 | | P-PT200-37 | | P-PT300-37 | |
| 38 | | C5X24Z | | C5X24Z | | C5X24Z | | C5X24Z |
| 39 | | P-GT100-39 | | P-GT160-39 | | P-GT200-39 | | P-GT300-39 |
| 40 | | P-GT100-40 | | P-GT160-40 | | P-GT200-40 | | P-GT300-40 |
| 41K | | P-GT100-41K | | P-GT160-41K | | P-GT160-41K | | P-GT300-41K |
| 42 | P-NPL-TL100 | | P-NPL-TL160 | | P-NPL-TL200 | | P-NPL-TL300 | |
| 43 | P-WARN-LP | | | | | | | |
| 44 | P-M2.5X6 SCREW DRIVE | | | | | | | |