



# PRESS RELEASE

PR101

March. 27, 2013



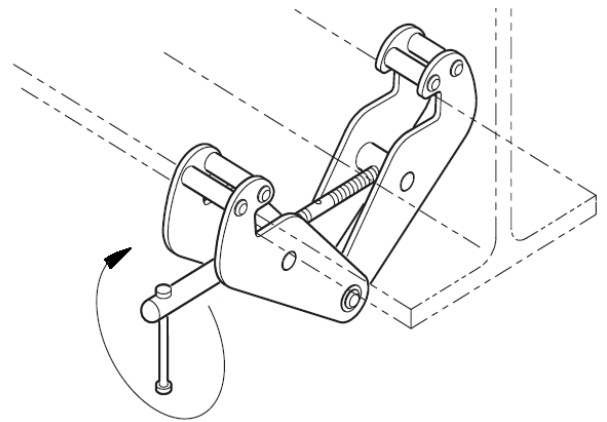
## Clamps Support Theater



Chicago, IL

All Material Handling announces new all black finish on their standard and shackle type beam clamps. The all black finish is neutral to any choice of hoist or rigging and may be welcomed by the theatrical industry.

Distributors, that supply the theatrical market, requested the change in finish. Some were repainting product to satisfy the need for black hardware used above the stage. The corrosion resistance, of the previously bright plated cross shaft, was maintained by utilization of "Black Oxide" finish. Customers prefer the ease of installing the AMH beam clamps as no tools are required. Clamps allow a suspension mounting point to beams above. Installation is by rotating the handle, of the reverse threaded cross shaft, until the



desired flange width is achieved. Riggers love this as there are no parts to fall or measurements to be matched.

Contact your nearest distributor for more information and quote or AMH toll free number to become or find the nearest distributor.



ALL MATERIAL HANDLING INC. \* 345 N. Canal, Suite C1 \* Chicago, IL 60606

Web: [www.allmaterialhandling.com](http://www.allmaterialhandling.com) \* E-Mail: [Sales@allmaterialhandling.com](mailto:Sales@allmaterialhandling.com)

PH# (312) 593 7307 \* Toll Free# (877) LIFT AMH \* FAX # (312) 274 9780