

ARMY STYLE LOW HEADROOM TROLLEY

CE

1/2 to 10 Metric Ton Capacity

FEATURES

- Low headroom design increases lift height in low ceiling areas
- Direct mount to any standard AMH hoist by replacing the top hook assembly with the trolley assembly.
- Durable all steel construction
- Machined cast iron wheels with precision sealed “**lubed for life**” bearings and universal tread design to fit flat or tapered beam flanges.
- Hand chain drop is 10 feet
- Meets: ASME/ANSI B30.16, OSHA, NASA-STD-8719.9, EU Directives: 98/37/EC
- ATEX rated Ex II 3 GD c IIB 54° C X for limited use in Hazardous Environments

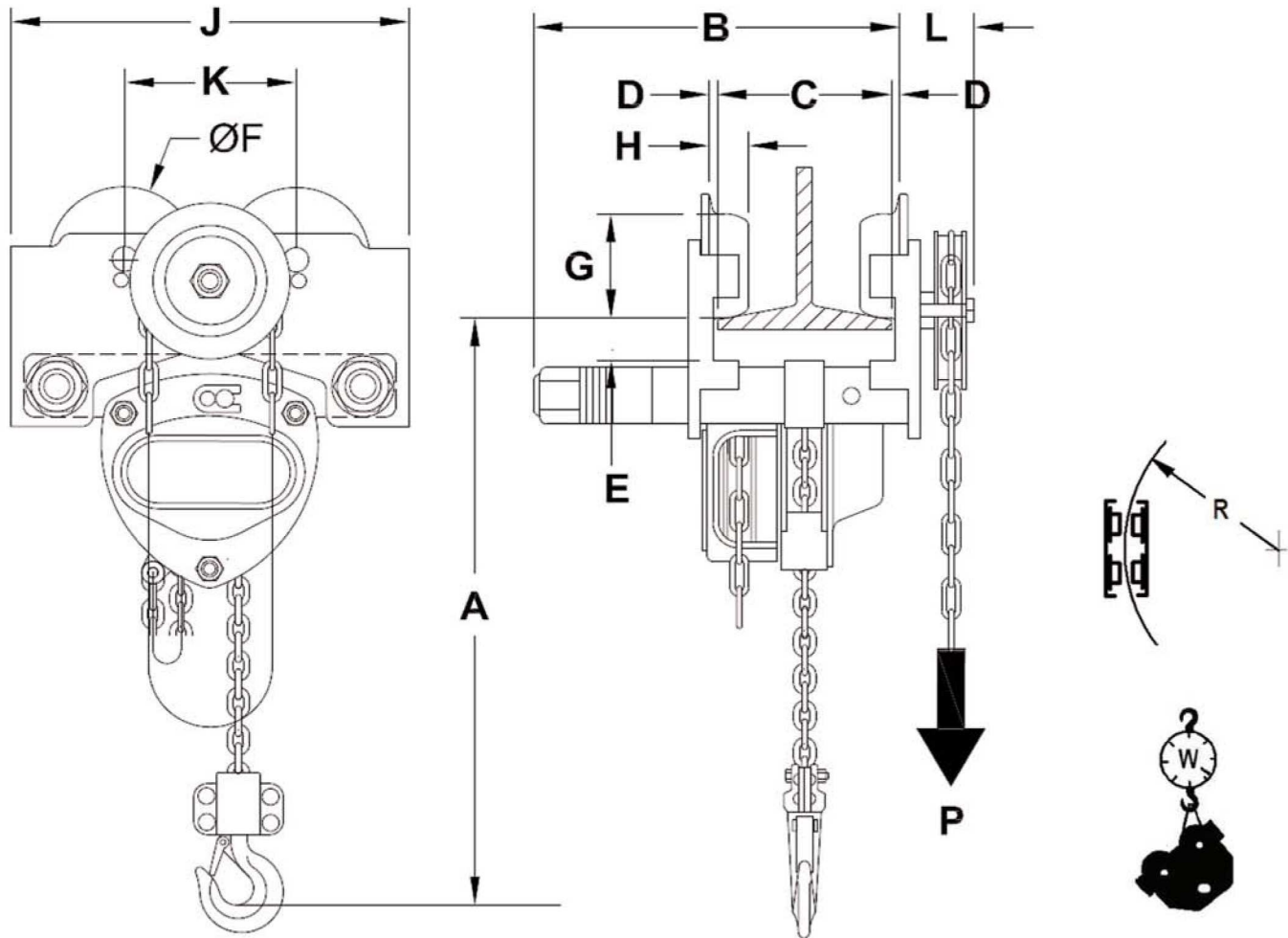
OPTIONS

- Extended hand chain drop



Before using these products read and follow instructions in the operators manual. Never exceed capacity. Do not use for lifting people or loads over people.





PTL & GTL SERIES SPECIFICATION AND DIMENSIONS (inches and pounds)

Model	WLL	A	B	C	D	E	F	G	H	J	K	L	P (lbs)	R Min	Includes Hoist W (lbs)
PTL005	1/2t	11.8	9.7	1.97- 7.99	0.06-0.12	1.2	3.1	2.2	0.75	10.2	3.9	3.0	-----	33	37
GTL005-10													6		46
PTL010	1t	13.0	14.1	2.52-12.01	0.06-0.12	1.4	3.8	2.7	0.79	11.5	4.9	3.1	-----	39	55
GTL010-10													11		64
PTL020	2t	16.2	14.4	3.46-12.01	0.06-0.12	1.5	4.3	3.2	0.94	14.1	5.3	3.2	-----	43	104
GTL020-10													20		113
PTL030	3t	18.1	14.7	3.94-12.01	0.06-0.12	1.6	5.2	3.9	1.06	17.1	6.2	3.4	-----	51	143
GTL030-10													21		152
PTL050	5t	23.0	15.1	4.49-12.01	0.06-0.12	1.7	5.7	4.3	1.42	17.6	6.7	3.6	-----	55	199
GTL050-10													31		210
PTL075	7.5t	26.4	16.4	4.88-12.01	0.08-0.14	1.8	6.9	5.4	1.65	17.4	7.9	4.3	-----	78	333
GTL075-10													4.1		344
PTL100	10t	29.3	16.4	4.88-12.01	0.08-0.14	1.8	6.9	5.4	1.65	17.4	7.9	4.3	-----	78	363
GTL100-10													54		374

How to specify Model: Example **GTL050-20** hand geared low headroom trolley (5t Capacity with 20 Ft hand chain drop Model - Drop

GTL050-20 **Note:** If factory assembly to a hoist is required then note on the order.