

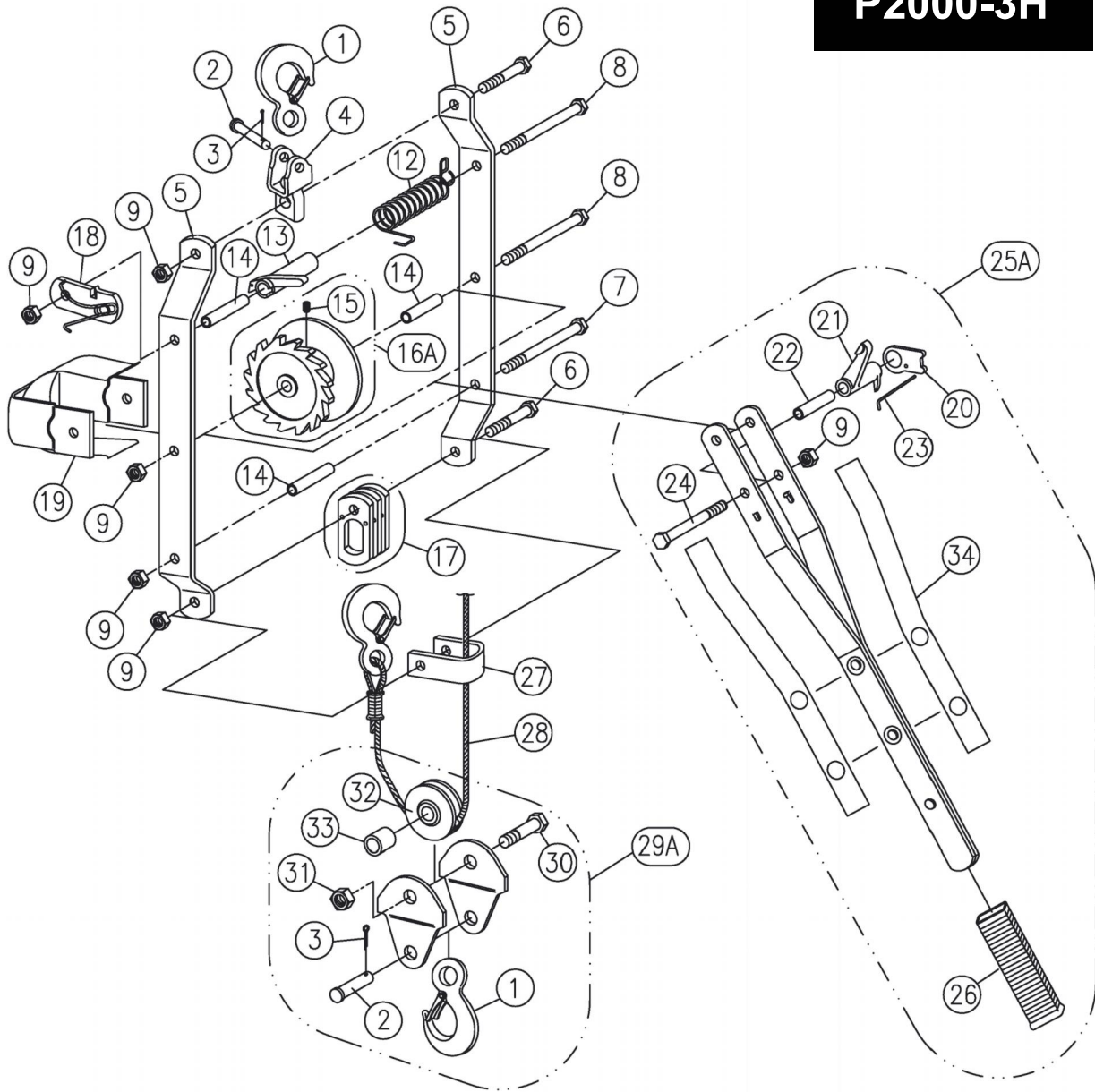
# C3400-3H

1	C3400-1
2	C3400-2
3	C3400-3
4	C3400-4
*5	C3400-5
*6	C3400-6
7	C3400-7
8	C3400-8
*9	C3400-9
*10	C3400-10
*11	C3400-11
12	C3400-12
13	C3400-13
14	C3400-14
15	C3400-15
16	C3400-16
17	C3400-17
18	C3400-18
19	C3400-19
20A	C3400-20
21	C3400-21
22	C3400-22

23A	C3400-23A
24	C3400-24
25	C3400-25
26	C3400-26
*27	C3400-27
28A	C3400-28
29	C3400-29
30	C3400-30
31	C3400-31
32	C3400-32
*33	C3400-33
34	C3400-34
35	C3400-35
36	C3400-36
37	C3400-37
38	C3400-38
*39A	C3400-39A
40	C3400-40
41	C3400-41
42	WARN-C
43	NPL-C3400
44	C3400-44

\* Recommended, Recommandé, Recomendado

# P2000-3H



*1	P2000-1
2	P2000-2
3	C3400-35
4	P2000-4
5	P2000-5
6	P2000-6
7	P2000-7
8	P2000-8

9	P2000-9
*12	P2000-12
13	P2000-13
14	P2000-14
15	P2000-15
16A	P2000-16A
17	P2000-17
*18	P2000-18

19	P2000-19
20	P2000-20
21	P2000-21
22	P2000-22
*23	P2000-23
24	P2000-24
25A	P2000-25A
26	P2000-26

27	P2000-27
*28	P2000-28
29A	P2000-29A
30	P2000-30
31	P2000-31
32	P2000-32
33	P2000-33
34	WARN-P

\* Recommended, Recommandé, Recomendado

